

Mico

GOYAL
Iron & Steel Works

IS : 1729:2002



C.I. Soil Pipes, Manhole Covers & Fittings



C.I. SOIL PIPES



C.I. SOIL FITTINGS



MANHOLE COVERS



GRATING

COMPANY PROFILE

Goyal Iron & Steel Works (GISW) has pioneered the business of manufacturing iron and steel castings since 1977. We started with a cupola furnace for manufacturing cast iron soil pipes and fittings and now have a modern setup to manufacture auto components agricultural machines decorative furniture soil pipes & fittings manhole covers & gratings ductile iron fittings centrifugally cast pipes and diesel engine spares. Our infrastructure includes Induction furnace Pneumatic moulding machines Intensive sand mixers centrifugal machines shotblast machines automatic sand plant & fettling unit labs for chemical and physical testing of products.

All the products are designed and manufactured in strict accordance with the international standards such as British standards (BS), American standards (ASTM) and German standards (DIN). Our manufacturing units are well equipped to produce castings from 0.5 kgs to 2000 kgs. With our in-house pattern shop we can speedily and accurately manufacture customised castings as well. We have capacity to produce 18000MT of castings a year. We have an expert team of experienced and qualified engineers and technicians to superimpose stringent quality measures and in-time shipments.

We are ISO 9001-2008 certified organisation and are active members of Institute of Indian Foundrymen and Engineering Export Promotion Council. Our pipes and fittings range is certified by the Bureau of Indian Standards and is one of the best-selling soil pipes & fittings brand used by leading Government departments and Infrastructure companies.

COMPANY VISION

- ★ To be a reputed supplier of durable strong and superior castings such as soil Pipes & fittings Manhole covers & Gratings decorative castings & furniture and ductile Iron fittings
- ★ To offer best opportunity for the growth of all stakeholders including suppliers buyers employees society and environment.
- ★ These are to be achieved with a focus on innovation continuous learning and being proactively adaptive to the market.

COMPANY MISSION

To be the best brand in CI soil Pipes fittings Manhole covers gratings and decorative castings by adopting best available systems and technology.



IS : 1729:2002



The durability and quality of (Mico) is better than any other brand due to the following Characteristics :

- * Good strength aesthetics and physical properties ideal in drains waste entilation and rain water disposal.
- * Product conforms to the quality standard and specifications of IS:1729-2002.
- * Made with best possible systems and infrastructure leading to unbeatable consistency..

* **Chemical properties :**

C - - to 7 Si - 1.8 to 2. CE - .

* **Mechanical properties :**

Material Grade - FG 1 0 as per IS:210
 ensity - 7.1 kg m
 Tensile strength - 0 N m² minimum
 Hardness - 21 II ma imum as per IS:1 00



* **Tests Applied :**

Hammer test: For clear ringing soundness of casting.
 Hydrostatic test (Internal): It should bear water pressure at min 0.7 g/cm⁷ for at least 1 secs time
 Costing test: For no brittle at 0°C and no flow up to °C temperature.

* **Marking :**

All pipes & fittings carry the brand name (SUPER) mark nominal diameter ISI symbol with code licence No. & last two digits of the year of manufacturing.

WHY CAST IRON PIPES & FITTINGS ONLY

Cast Iron has been used for centuries in soil ent drainage due to its long life and high strength which fulfills all the requirements of the drainage system. Cast Iron pipes can withstand high pressure & are more resistant to wear & tear corrosion abrasion and heat compared to P C pipes.

Cast iron pipes are environment friendly can be recycled 100 . Co-efficient of thermal e pansion and contraction In CI material Is ery low hence It Is not only fire proof but chances of deformation In the sie & length of Pipes & fittings are negligible by any change in temperature. In case of fire it will not produce any smoke poisonous & to ic gases. due to which its easy for fireman while entering the building.

C.I. can stand up to temperature of 00°C and ha e good bonding property with concrete hence doesnot leak at the oints.

ecause of its strength and resistance to deformation CL has Nil Maintenance cost can be easily cleaned more cost effecti e in long run and has a secure sal age alue.

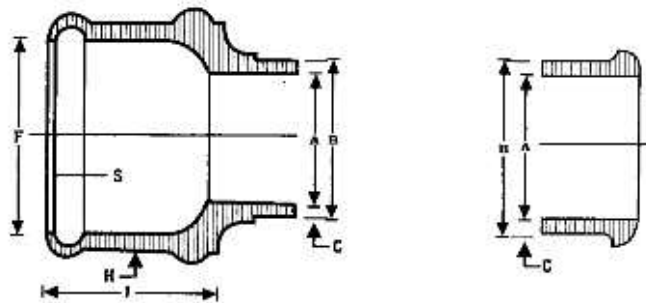
Cast Iron Is the Ideal drainage system.

COMPARISON AT A GLANCE ETWEEN UP C PIPES AN SUPER CI SOIL PIPES & FITTINGS:

Specific density of C.I. is higher by 700 kg m . Tensile strength is higher by 9 N m⁷
 Compressi e Strength is higher by 0 N rrr Coefficient of thermal e pansion of CI Is low by 0.0 mm m Ct Impact Strength abrasion resistance & lateral strength is high of cast Iron.



DIMENSIONS OF STRAIGHT PIPES, SOCKETS AND SPIGOTS



Dimension	Nominal Size A			
	50	75	100	150
(1)	(2)	(3)	(4)	(5)
Pips:				
Internal dia (Min). A	46	74	99	150
Internal dia (Max). B	63	89	114	165
Wall Thickness, C	5	5	5	5
Tolerance, C	-2	-2	-2	-2
Dia of spigot bead, (Max) E	70	97	122	175
Socket :				
Internal dia (Min), F	73	100	127	181
External dia (Max), G	69	116	143	197
Thickness, H	6.5	6.5	8.5	6.5
Tolerance on H	-2	-2	-2	-2
Internal Depth J	64	70	76	89
Tolerance on J	±10	110	±10	±10
Outside Dia over beads (Min)	100	129	157	213
Ears length of flange, U	146	178	213	273
Centre to centre hole, V	114	146	181	235

OPTIONAL FEATURES

- ✳ Alternatr e socket profile
- ✳ Spigot bead
- ✳ Socket groove
- ✳ Ears

Note : The spigot bead and socket groove in thii figure are optional features.



B R A N D Y O U C A N T R U S T

CAST IRON JUNCTIONS WITH & WITHOUT DOORS

		= 92½			
Dimensions	Normal Size				
	50	75	100	150	
a	149	170	187	218	
b	140	162	181	206	
c	89	105	117	143	
k	8	10	10	10	
r	38	38	38	38	
		O = 135°			
a	124	138	172	185	
b	143	162	165	194	
c	64	73	102	110	
k	6	8	10	8	
r	70	70	121	121	



PLAIN JUNCTION 90

50mm, 75mm, 100mm & 150mm



DOOR JUNCTION 135

75mm, 100mm

		= 92½			
Dimension	Normal Size				
	50	75	100	150	
a	121	143	165	200	
b	152	181	206	263	
c	295	351	400	494	
d	38	48	57	75	
e	154	178	197	235	
f	235	286	330	419	
g	92	116	146	198	
h	61	78	95	125	

		= 92½			
ഗവൺമെന്റ്	Normal Size				
	75	100	100	150	
A	75	100	100	150	
A1	50	50	75	100	
a	132	137	152	179	
b	165	178	194	232	
c	325	349	362	418	
d	38	58	48	57	
e	165	179	186	222	
f	260	279	292	343	
g	105	118	129	162	
h	67	67	82	104	
		O = 135°			
a	200	217	241	298	
b	197	216	241	295	
c	325	349	362	418	
d	165	179	186	222	
e	260	279	292	345	
f	137	156	176	225	
g	135	147	171	223	
h	38	38	38	38	

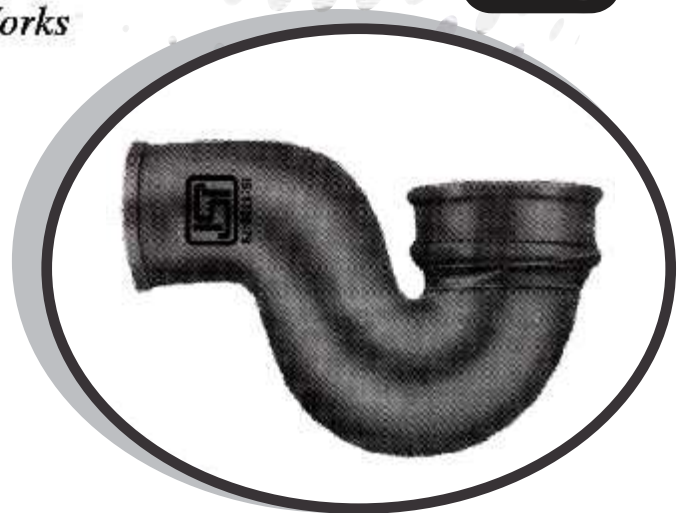


DOOR JUNCTION 90

50mm, 75mm, 100mm & 150mm



TRAPS



P-TRAP

50mm, 75mm, 100mm & 150mm

Nominal Diameter	Dimensions									
	DN	A	a	b	c	d	e	f	g	L
(D)	(2)	(3)	(4)	(5)	(6)	(7)	(8)	(9)	(10)	
50	100	137	90	236	30	3.6	43	133	175	
75	100	170	105	275	40	3.5	60	135	225	
100	100	214	116	330	60	4.0	90	206	296	



NAHNI TRAP

75mm, 100mm

C-135*

GÖÑÖÖÖ	ÍÖÖÖMÍÖRÑ			
	ĐC	ĐD	ĈĈĈ	ĈDĈ
M	ĈĐĐ	ĈĈĈ	ĈĐĈ	ĈĈĈ
N	ĈĐĐ	ĈĈĈ	ĈĐĈ	ĈĈĈ
Ñ	ĈĈĐ	ĈDĈ	ĈĈĈ	ĈĈĈ
Ñ	ĈDĈ	ĈĐĐ	ĈĈĈ	ĈĈĈ
N	ĈĈĐ	ĈĐĐ	ĈĈĈ	ĈĈĈ
N	ĈĈĐ	ĈDĐ	ĈĈĈ	ĈĈĈ
E	ĈĈĐ	ĈDĐ	ĈĈĈ	ĈĈĈ
O	ĈĐ	ĈĐ	ĈĐ	ĈĐ

Ö Ę EĈĀĀ

GÖÑÖÖÖ	ÍÖÖÖMÍÖze			
	DĈ	ĐD	ĈĈĈ	ĈDĈ
Đ	ĐĈ	ĐD	EĈ	ED
N	ĈĈĈ	ĈĈĈ	ĈĈĐ	ĈĈĈ
Ñ	ĈĈĈ	ĈĈĐ	ĈĈĈ	ĈDĈ
Ñ	ĐĐ	EĐ	ĈĈĐ	ĈĈĐ
Ñ	ĐĈ	ĈĈĐ	ĈĈĐ	ĈĐĐ

Projection b	Dimension		Nominal Size, A		
	a	50	75	100	150
	r	121	135	148	171
76,114, 152	c	25	25	25	25
	d	55	55	55	55
		6	6	6	6

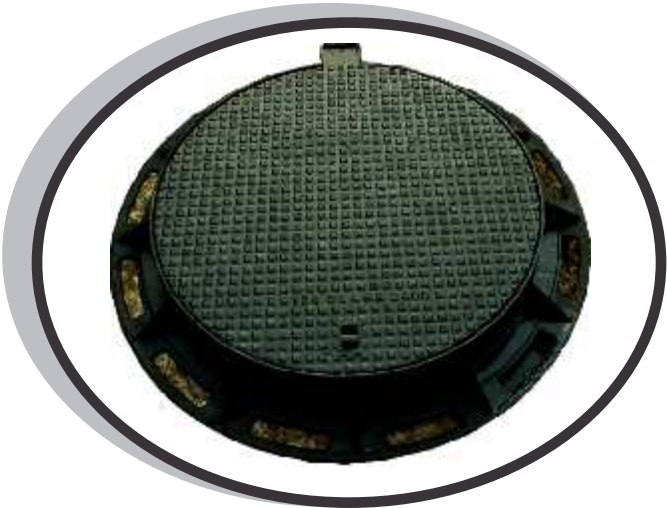


OFFSET

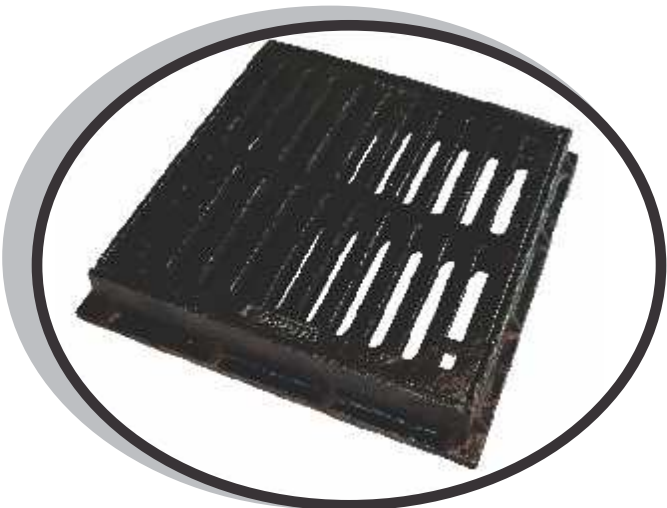
50mm, 75mm, 100mm & 150mm



AIR TIGHT 100% LEAK PROOF MANHOLE COVERS



GRATINGS





GOYAL IRON & STEEL WORKS

Manufacturers & Exporters of
C.I. Pipes & Fittings, Manhole Covers, Gratings, Decorative Casting,
Iron Furniture, Spiral staircase, Lamp Posts, Harrow Spools,
Agricultural Equipments, Diesel Engine and Pumps, Hardware equipments
and Customized castings according to customer specifications.

Head Office:

B 668, Kamla Nagar Agra - 282005

Mobile: +91 9760 283 296, +91-9319 103 513

E-mail us at info@goyaliron.com

Works:

Village Ruheri Agra Aligarh Road
Hatras (U.P.)

Website :

www.goyaliron.com



K.N. GOYAL IRON & STEEL WORKS (INDIA)

H.O.: D-593, Kamla Nagar, Agra-282005 (U.P.)

WORKS : Village Ruheri, Agra Aligarh Road, Hathras (U.P.)

Mobile: +91 9760 283 296, +91-9319 103 513

E-mail: marketing.rpmf@gmail.com

**Manufacturers & Exporters of:**

1. C.I. Soil Pipes & Fittings according to IS:1729.
2. C.I. & D.I. Manhole Covers & Gratings
3. C.I. Decorative Gate, Grills and Furniture

Manufacturers & Exporters of:

Cast Iron Soil Pipes & fittings(IS:1729), Hubless & Centrifugal Pipes & Fittings as per IS:3989, Cast Iron & Ductile Iron Manhole Covers & Gratings (IS:1726), Ductile Iron Fittings (IS:9538), Decorative Gate Grill Casting, Park Benches & Cast Iron Furniture, C.I. Earthing Pipes & Earthing Plates

Rate List for 'MICO' C.I. Pipes & Fittings w.e.f. 1st November, 2022

ITEM NAME	50MM	75MM	100MM	150MM
SOIL PIPES	INR	INR	INR	INR
C.I SOIL PIPE SINGLE SOCKET 1800 MM (6')	1200	1500	1765	3200
C.I. SOIL PIPE DOUBLE SOCKET 1800 MM (6')	1320	1650	2000	3750
PIPE PIECE 300 MM LONG (1')	275	330	410	700
PIPE PIECE 450 MM. LONG (1.5')	390	470	575	1045
PIPE PIECE 600 MM. LONG (2')	460	560	650	1110
PIPE PIECE 900 MM. LONG (3')	700	835	1020	1670
PIPE PIECE 1200 MM LONG (4')	925	1110	1300	2225
PIPE PIECE 1500 MM LONG (5')	1160	1400	1625	2780
SOIL FITTINGS				
PLAIN BEND	320	405	485	1190
DOOR BEND	390	465	565	1370
SOIL PLAIN JN.90DEG (PLAIN TEE)	415	600	810	1940
SOIL DOOR JN. 90 DEG (DOOR TEE)	515	650	870	2185
HORN BEND DOOR 100 MM X 50 MM			890	
HORN BEND PLAIN 100MM X 50 MM			810	
SOIL PLAIN JUNCTION 100MM X 75MM			775	
SOIL DOOR JUNCTION 100 MM X75MM			870	
PLAIN 'Y' JUNCTION (PLAIN 'Y' TEE)	515	700	890	1940
DOOR 'Y' JUNCTION (DOOR 'Y' TEE)	580	790	1000	2220
DOUBLE 'Y' PLAIN (PLAIN 'Y' CROSS)		740	1020	2425
DOUBLE DOOR 'Y' (DOOR 'Y' CROSS)		835	1115	2790
SOCKET	195	240	275	610
'P'TRAP		665	895	1780
COWELL	255	320	390	1070
HANDHOLE PIPE		495	620	2055
45 DEGREE BEND PLAIN		465	540	1320
SOIL PLAIN DOUBLE JUNCTION 90 DEG (PLAIN CROSS)		865	1100	2710
SOIL DOUBLE DOOR JUNCTION 90 DEG (DOOR CROSS)		1040	1220	3050
SOIL SHOE		400	570	1190
REDUCER 100X75MM & 100X50MM		525	735	
OFFSET 75 MM PROJECTION		475	675	
OFFSET 150 MM PROJECTION		575	775	
HEEL REST BEND 90 DEG	390	480	570	1470
GULLY TRAP 150 MM			1080	
DOOR PIECE	450	570	710	2070
NANHI TRAP 100MM	450	490	560	
NANHI TRAP C.P.W.D.TYPE		745	975	



The Preferred Choice of
ARCHITECTS | PLUMBERS | CONTRACTORS



www.goyaliron.com